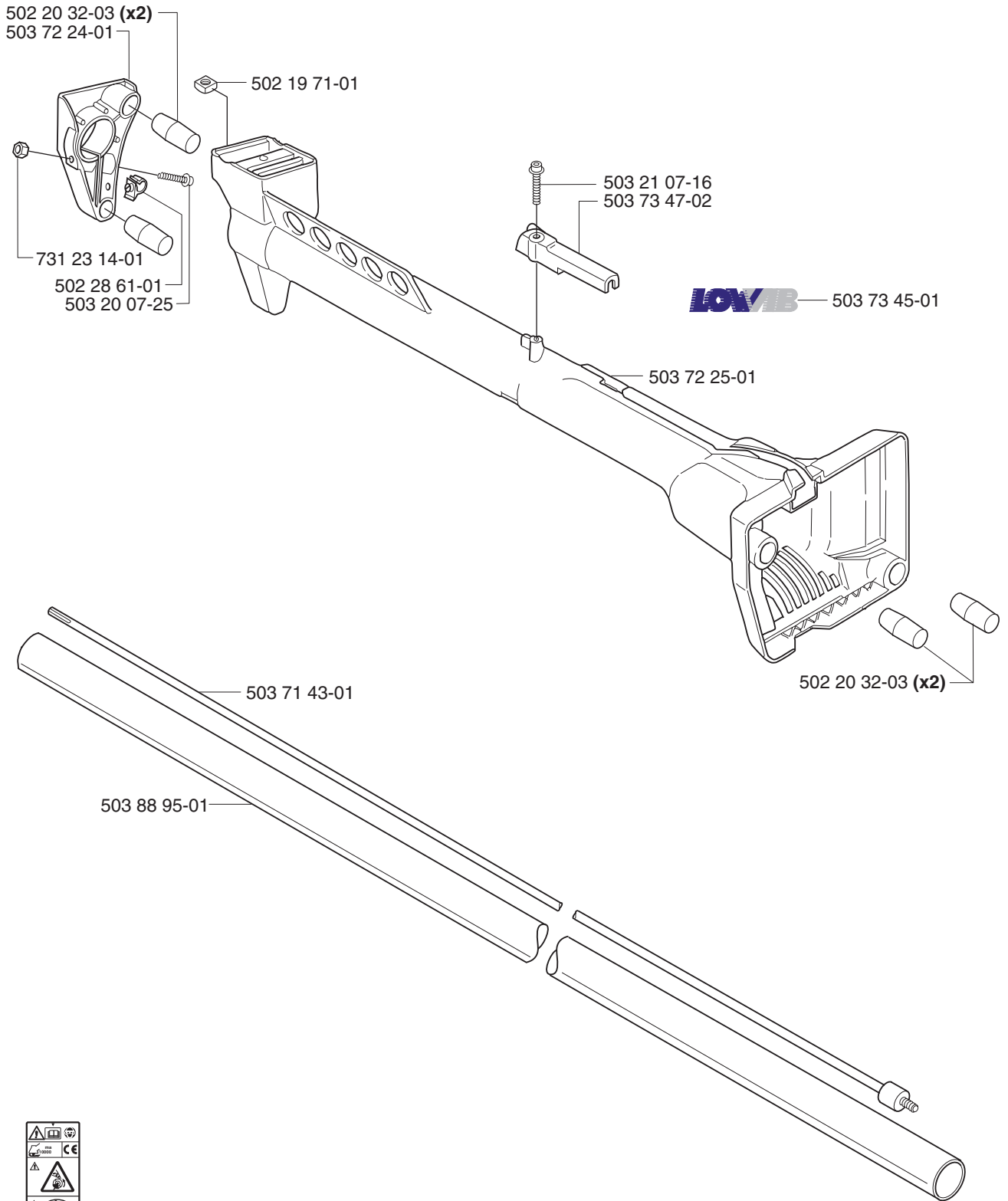
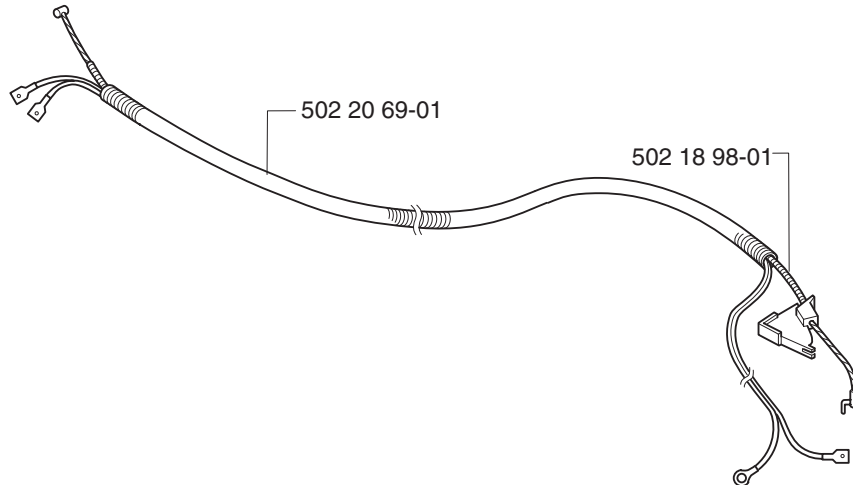


A

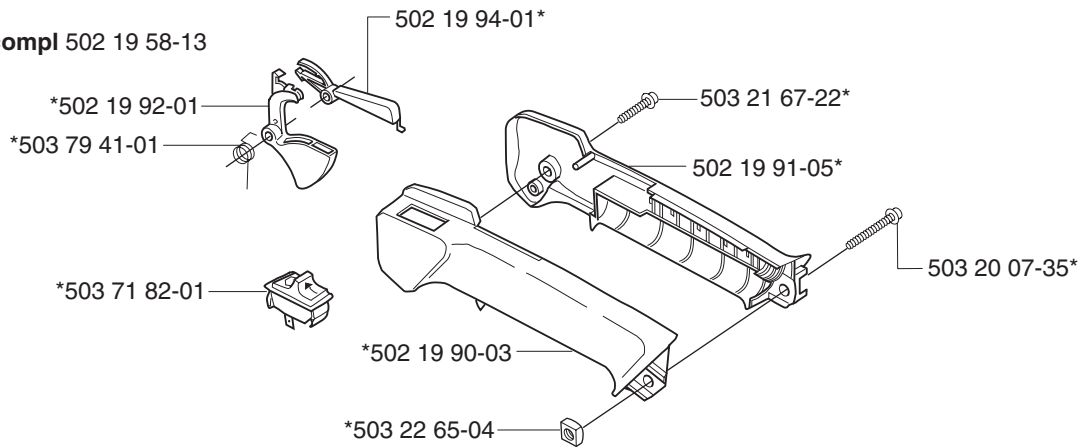


B

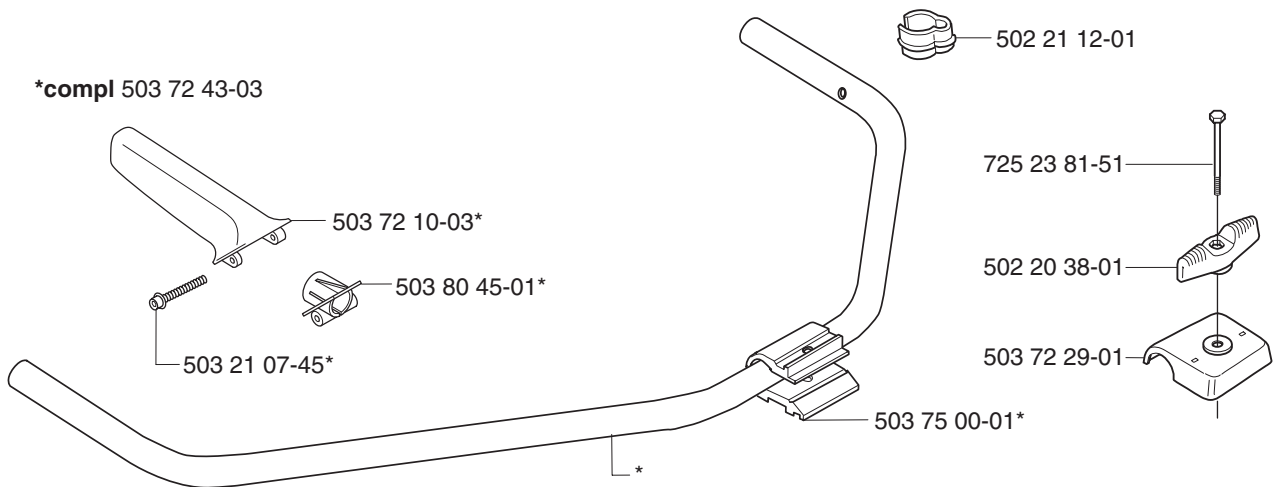
*compl 502 19 58-03

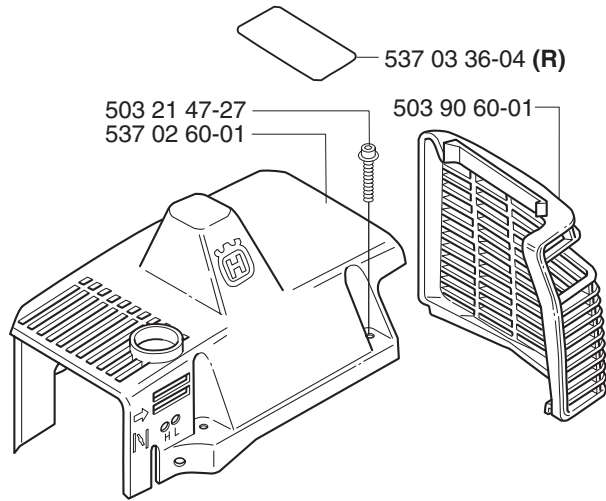
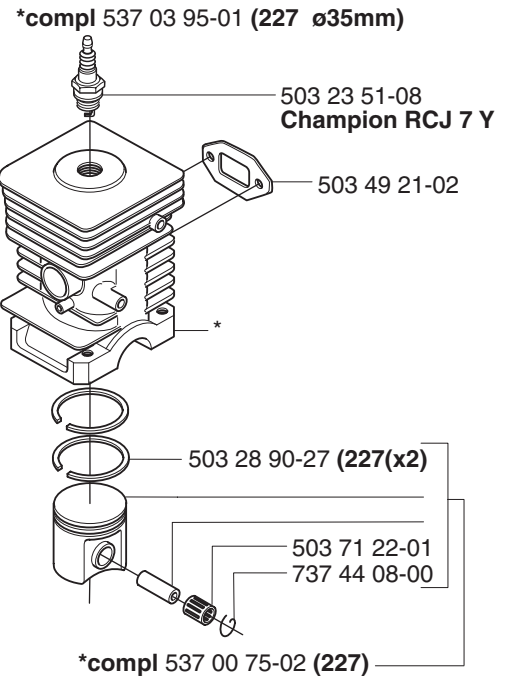
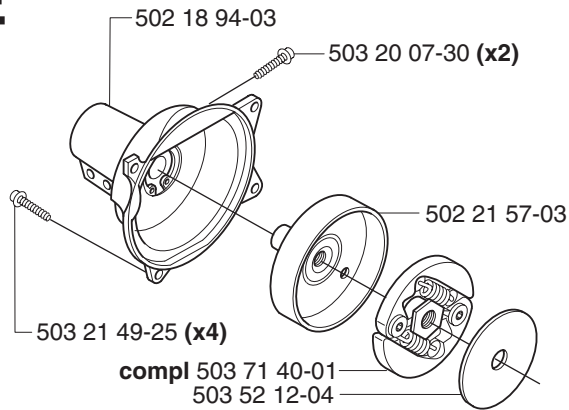
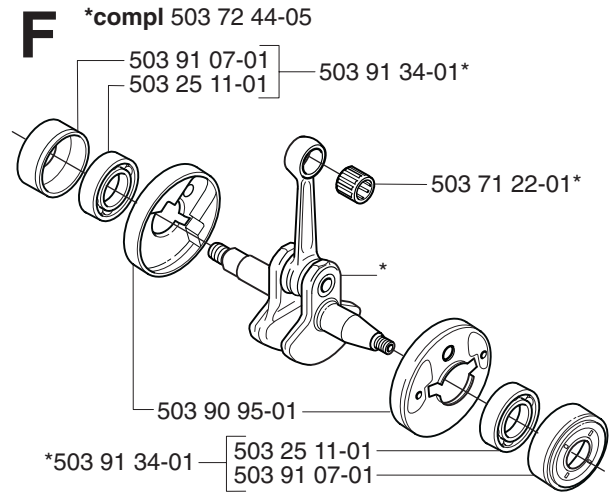
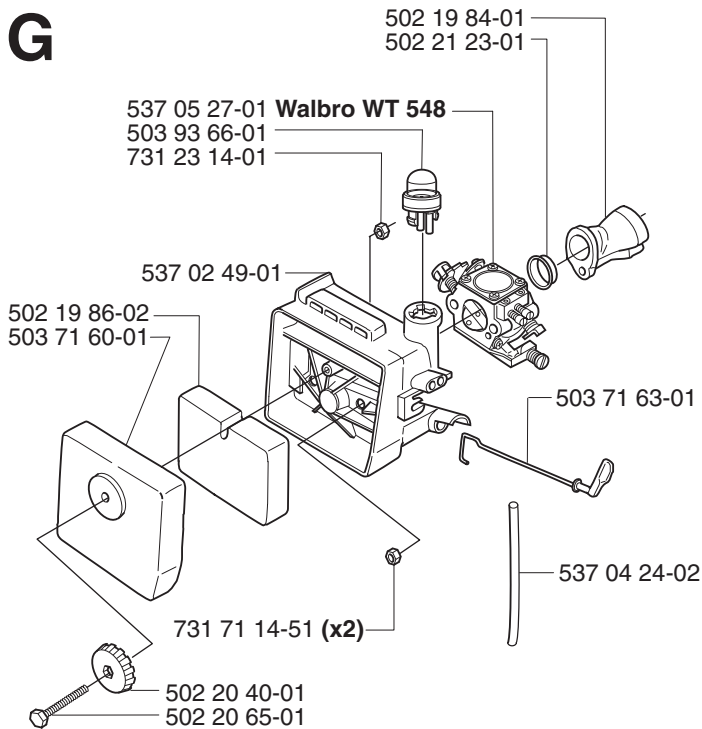
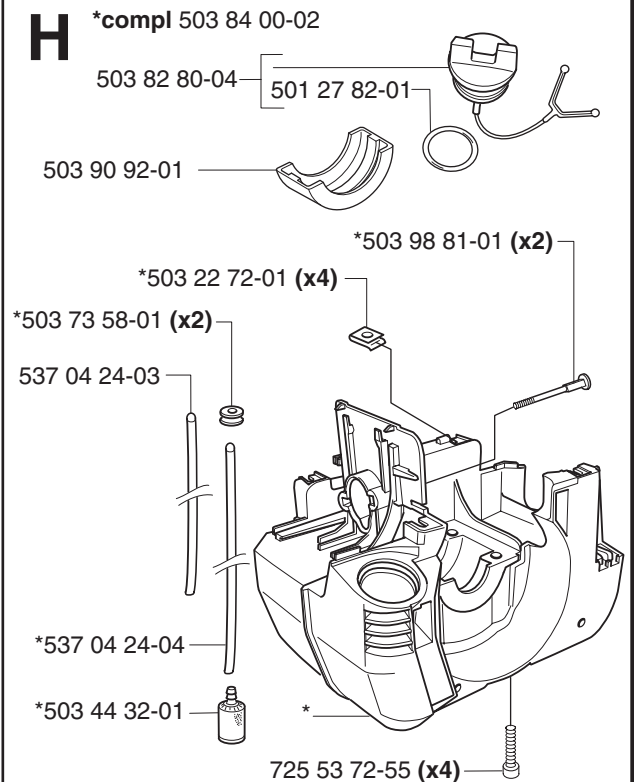


*compl 502 19 58-13



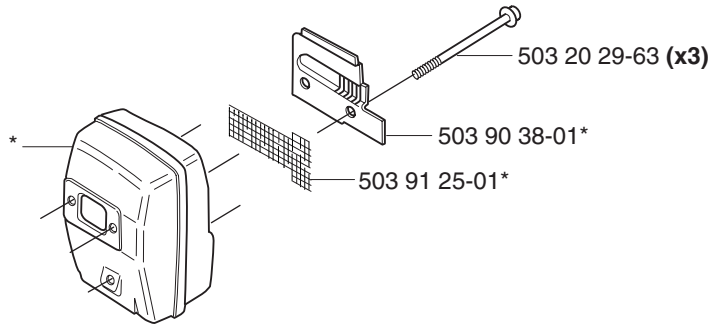
*compl 503 72 43-03



C**D****E****F****G****H**

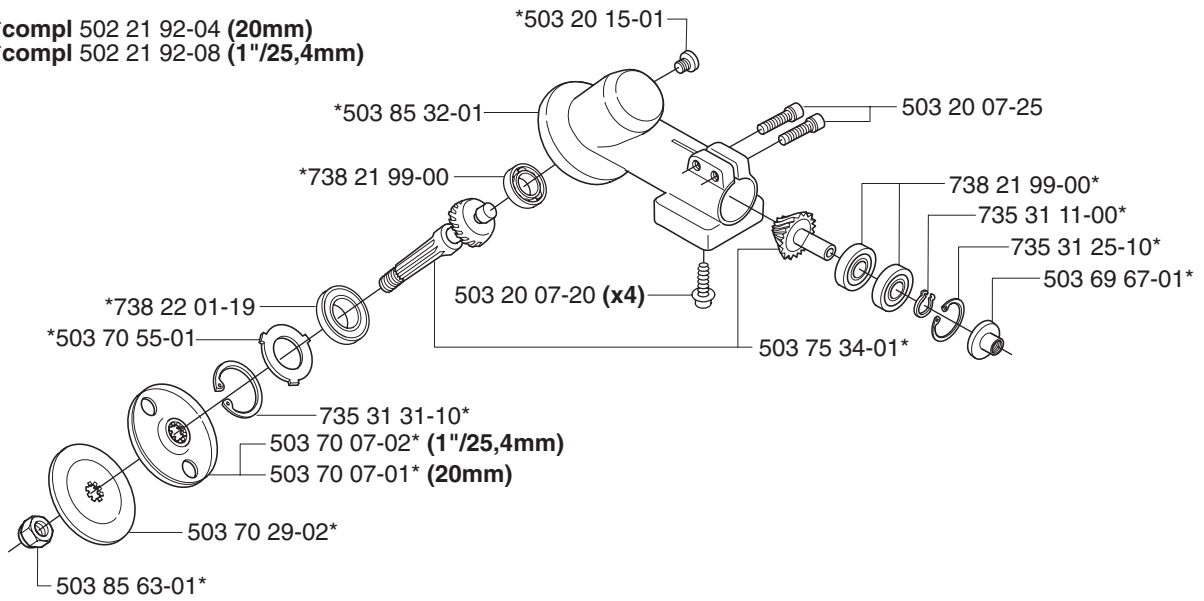
J

*compl 503 90 40-03

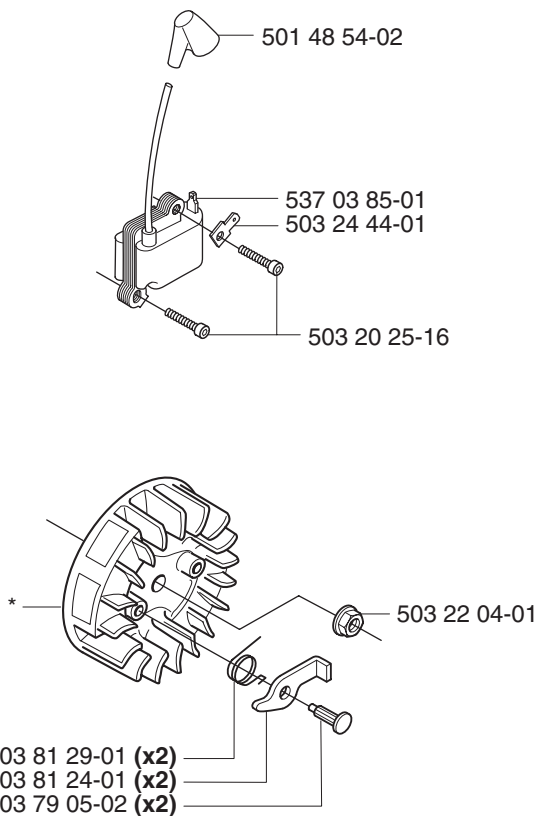
**K**

*compl 502 21 92-04 (20mm)

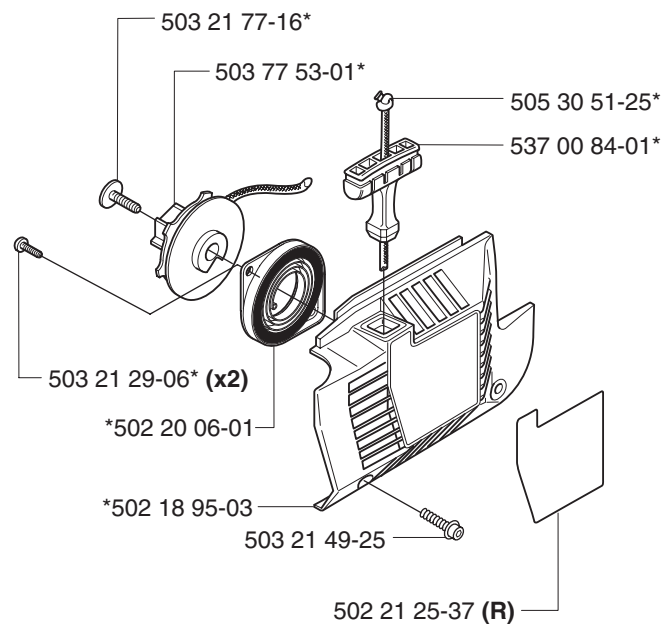
*compl 502 21 92-08 (1"/25,4mm)

**L**

*compl 503 79 06-01

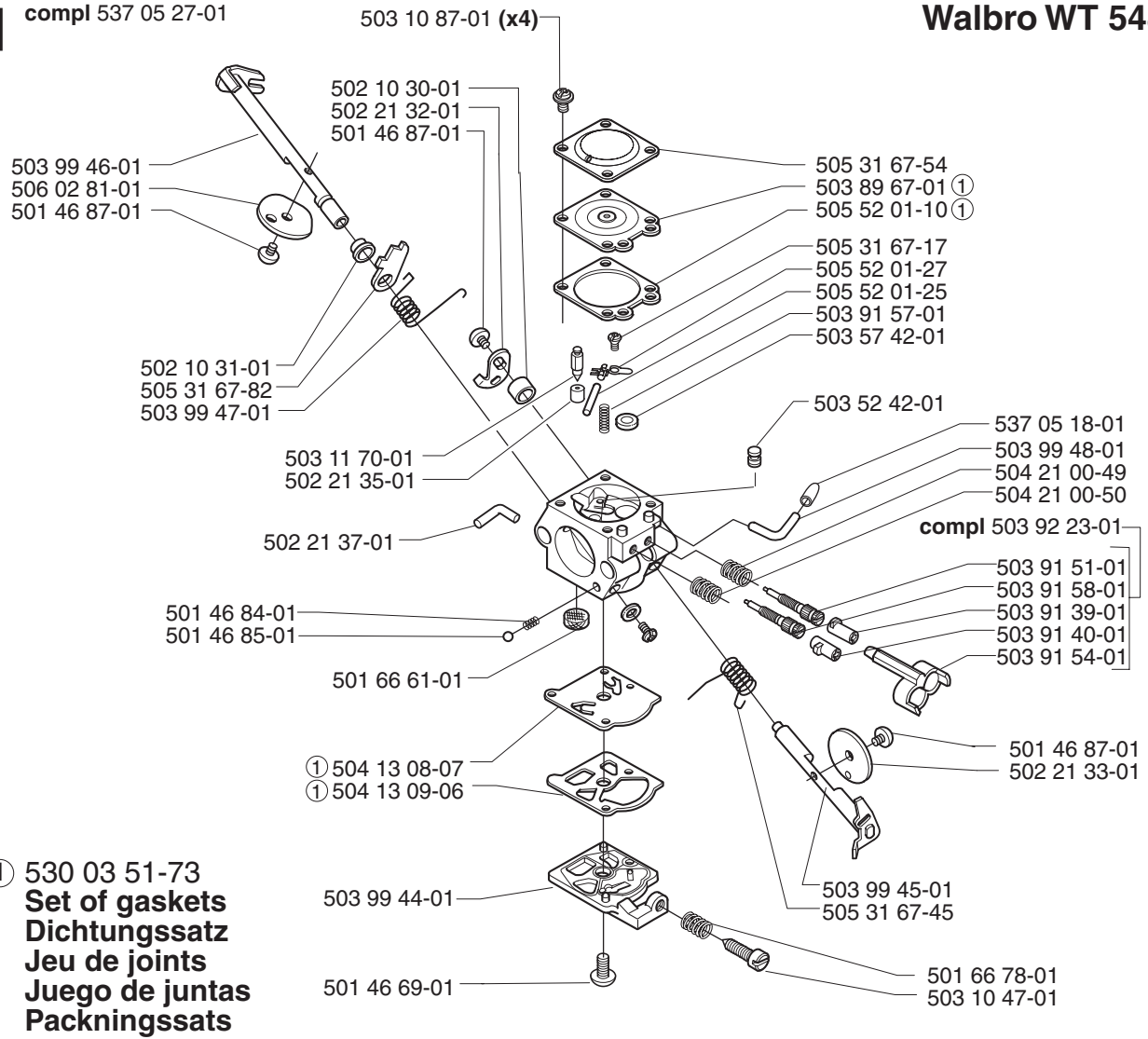
**M**

*compl 502 18 95-02



N

compl 537 05 27-01

Walbro WT 548**P**

Accessories
Zubehöre
Accessoires
Accesorios
Tillbehör

*compl 502 21 60-01

compl 503 73 63-03
compl 503 73 63-04 (USA)

